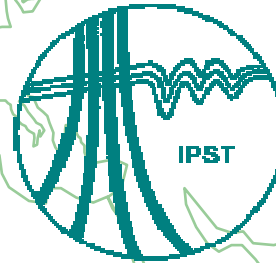


7th International Conference on Power Systems Transients IPST 2007

Ecole Centrale de Lyon,
France



Technical Committee Report

Jean Mahseredjian

TC Co-chairman

École Polytechnique de Montréal

Montréal, Canada

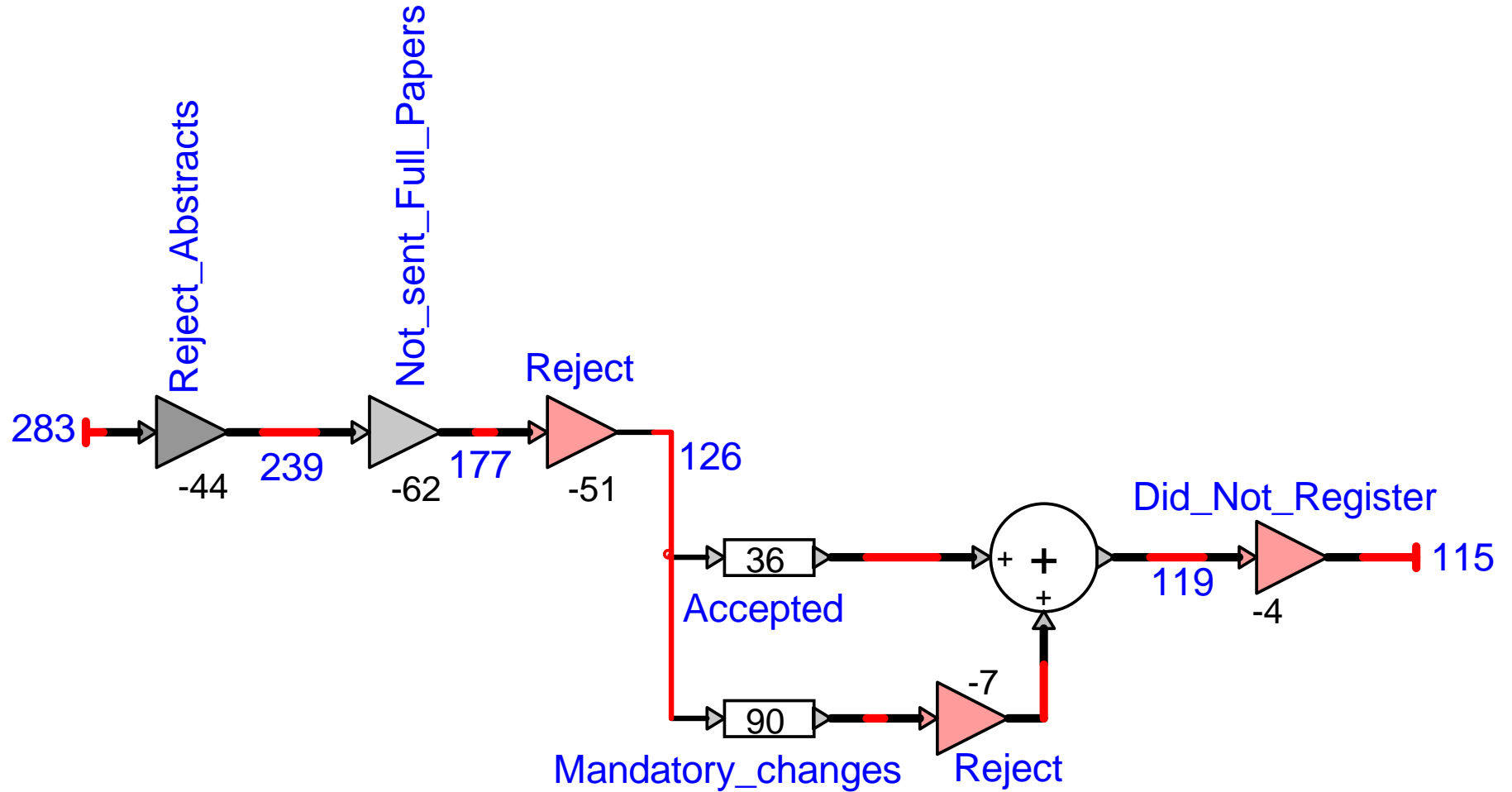
Local committee

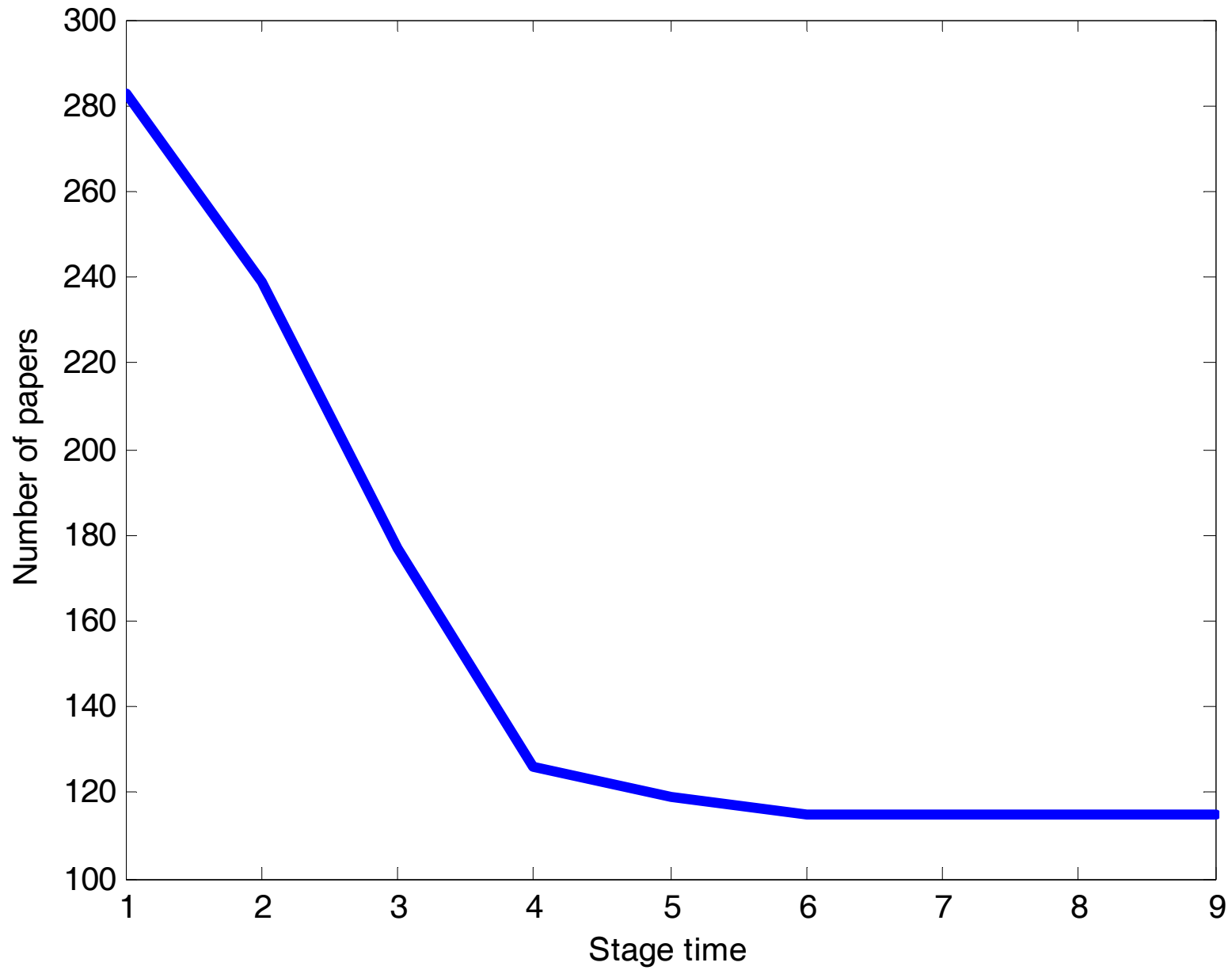
- Philippe Auriol, IPST 2007, co-chairperson
- Alain Xémard, IPST 2007, co-chairperson

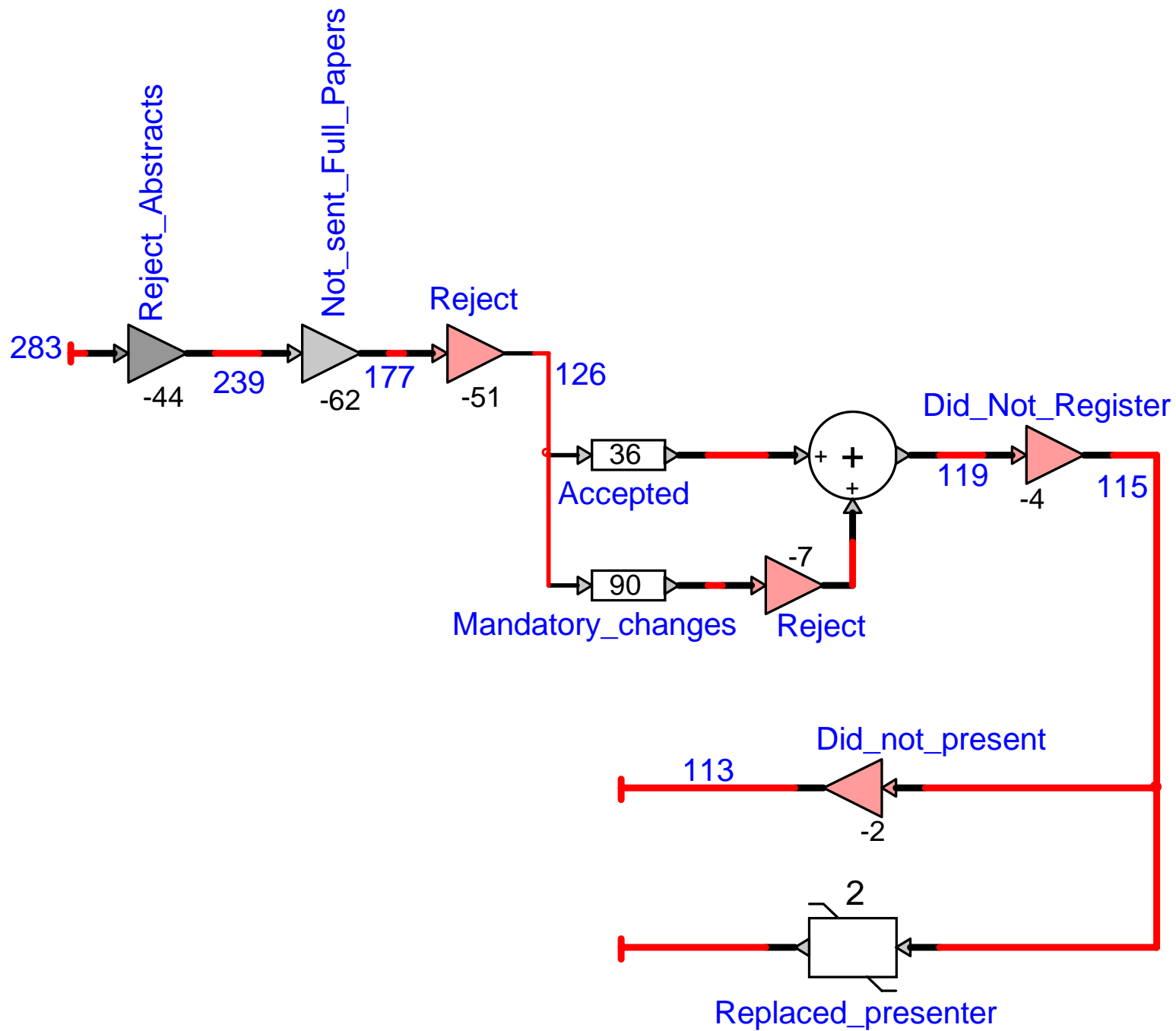
Paper Reviewers

- J. Mahseredjian Co-chair (Canada)
- L. Dubé Co-chair (Canada)
- Ali Abur (USA)
- Akihiro Ametani (Japan)
- Jean Bélanger (Canada)
- Sandoval Carneiro JR (Brazil)
- Arvind Chaudhary (USA)
- Francisco De Leon (Canada)
- Sébastien Dennetière (France)
- Venkata Dinavahi (Canada)
- Hermann Dommel (Canada)
- Ivan Dudurych (Ireland)
- Christian Dufour (Canada)
- Roger Dugan (USA)
- Toshihisa Funabashi (Japan)
- Tsuyoshi Funaki (Japan)
- Luc Gérin-Lajoie (Canada)
- Thomas Grebe (USA)
- Bjorn Gustavsen (Norway)
- Nikos Hatziargyriou (Greece)
- Lutz Hofmann (Germany)
- Reza Iravani (Canada)
- Garth Irwin (Canada)
- David Jacobson (Canada)
- Brian Johnson (USA)
- Bahram Khodabakhchian (Canada)
- Chul-Hwan Kim (Korea)
- Hans Knudsen (Denmark)
- Pierre-Jean Lagace (Canada)
- Juan A. Martinez-Velasco (Spain)
- Sakis Meliopoulos (USA)
- Atef Morched (Canada)
- Bruce Mork (USA)
- Luis Naredo (Mexico)
- Taku Noda (Japan)
- Carlo-Alberto Nucci (Italy)
- Guy OLIVIER (Canada)
- Mark Osborne (UK)
- Stephan Pack (Austria)
- Mario Paolone (Italy)
- Marc Petit (France)
- Laszlo Prikler (Hungary)
- Michel Rioual (France)
- Olaf Ruhle (Germany)
- Omar Saad (Canada)
- Murari Mohan Saha (Sweden)
- Vijay Sood (Canada)
- Kai Strunz (USA)
- Jean-Pierre Taisne (France)
- Maria Cristina Tavares (Brazil)
- Ivo Uglesic (Croatia)
- Keith Walshe (Australia)
- Yaw-Juen Wang (Taiwan)
- Neville Watson (New Zealand)
- Jung Wook Woo (Korea)
- Dennis Woodford (Canada)
- Alain Xémard (France)
- Luiz Zanetta (Brazil)
- Ilhan Kocar (Canada, student)
- Chuma Francis Mugombozi (Canada, student)


Paper Review Process







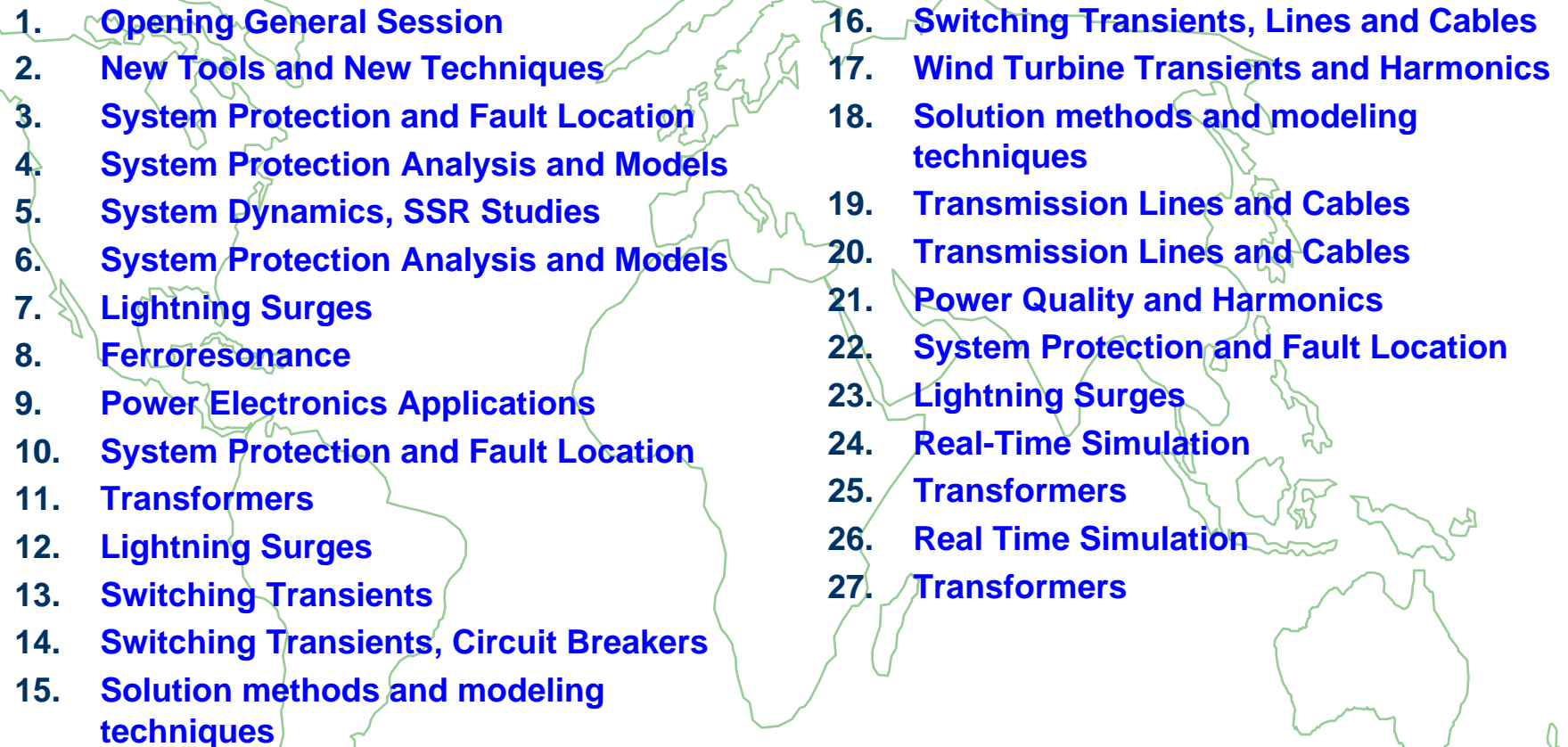
Accepted Papers Topic Count



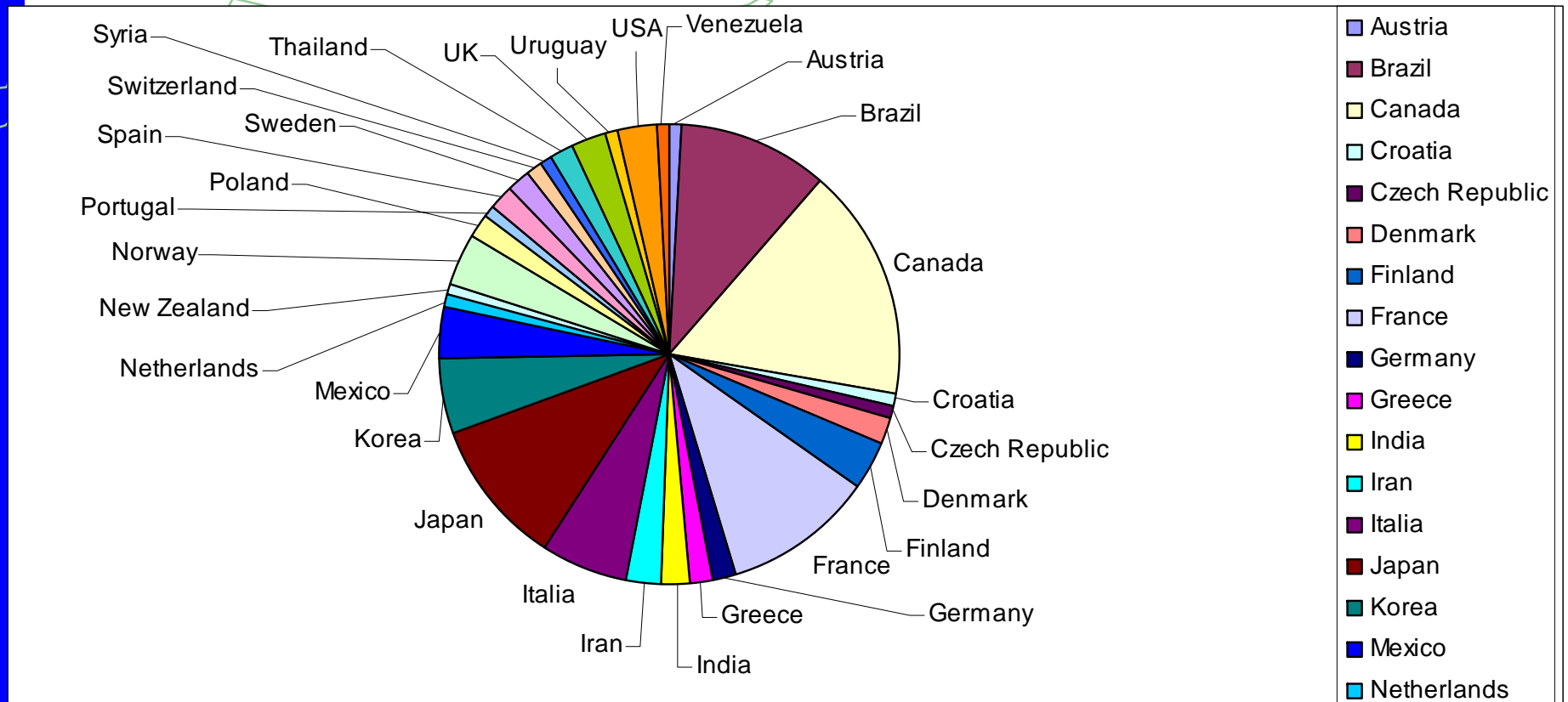
Power System Dynamics and Control	5
Real Time Digital Simulators and TNAs	8
Very Fast Transients	10
Harmonics and Power Quality	11
Power Electronics and FACTS	12
Simulation Tools	13
Inrush Currents, Ferroresonance and SSR	16
Transformers and Rotating Machines	18
Lightning Surges	18
Transmission Lines and Cables	22
System Protection and Fault Location	28
Switching/Fault Transients	29
Solution Methods and Modeling Techniques	30

Paper Sessions

27 Technical Sessions, 115 papers

- 
1. **Opening General Session**
 2. **New Tools and New Techniques**
 3. **System Protection and Fault Location**
 4. **System Protection Analysis and Models**
 5. **System Dynamics, SSR Studies**
 6. **System Protection Analysis and Models**
 7. **Lightning Surges**
 8. **Ferroresonance**
 9. **Power Electronics Applications**
 10. **System Protection and Fault Location**
 11. **Transformers**
 12. **Lightning Surges**
 13. **Switching Transients**
 14. **Switching Transients, Circuit Breakers**
 15. **Solution methods and modeling techniques**
 16. **Switching Transients, Lines and Cables**
 17. **Wind Turbine Transients and Harmonics**
 18. **Solution methods and modeling techniques**
 19. **Transmission Lines and Cables**
 20. **Transmission Lines and Cables**
 21. **Power Quality and Harmonics**
 22. **System Protection and Fault Location**
 23. **Lightning Surges**
 24. **Real-Time Simulation**
 25. **Transformers**
 26. **Real Time Simulation**
 27. **Transformers**

Distribution of Accepted Papers by Country



Austria	1
Brazil	12
Canada	19
Croatia	1
Czech Republic	1
Denmark	2
Finland	4
France	12
Germany	2
Greece	2
India	2
Iran	3
Italy	7
Japan	12
Korea	6
Mexico	4

Netherlands	1
New Zealand	1
Norway	4
Poland	2
Portugal	1
Spain	2
Sweden	2
Switzerland	1
Syria	1
Thailand	2
UK	3
Uruguay	1
USA	3
Venezuela	1

Notes

- PowerPoint slides
 - May become available on www.ipst.org
- PDF files of the papers
 - Will become available on www.ipst.org
- Selection of papers for EPSR
 - We will inform the selected paper authors
- Some errors in the program
 - We will correct in the final program for the web

Some bloopers

- We need 3-legged core
- I prefer two-legged
- We presented this paper also in IEEE
- Maybe we made a mistake, but it is a good model
- We will present a similar paper on this same work at the next IPST